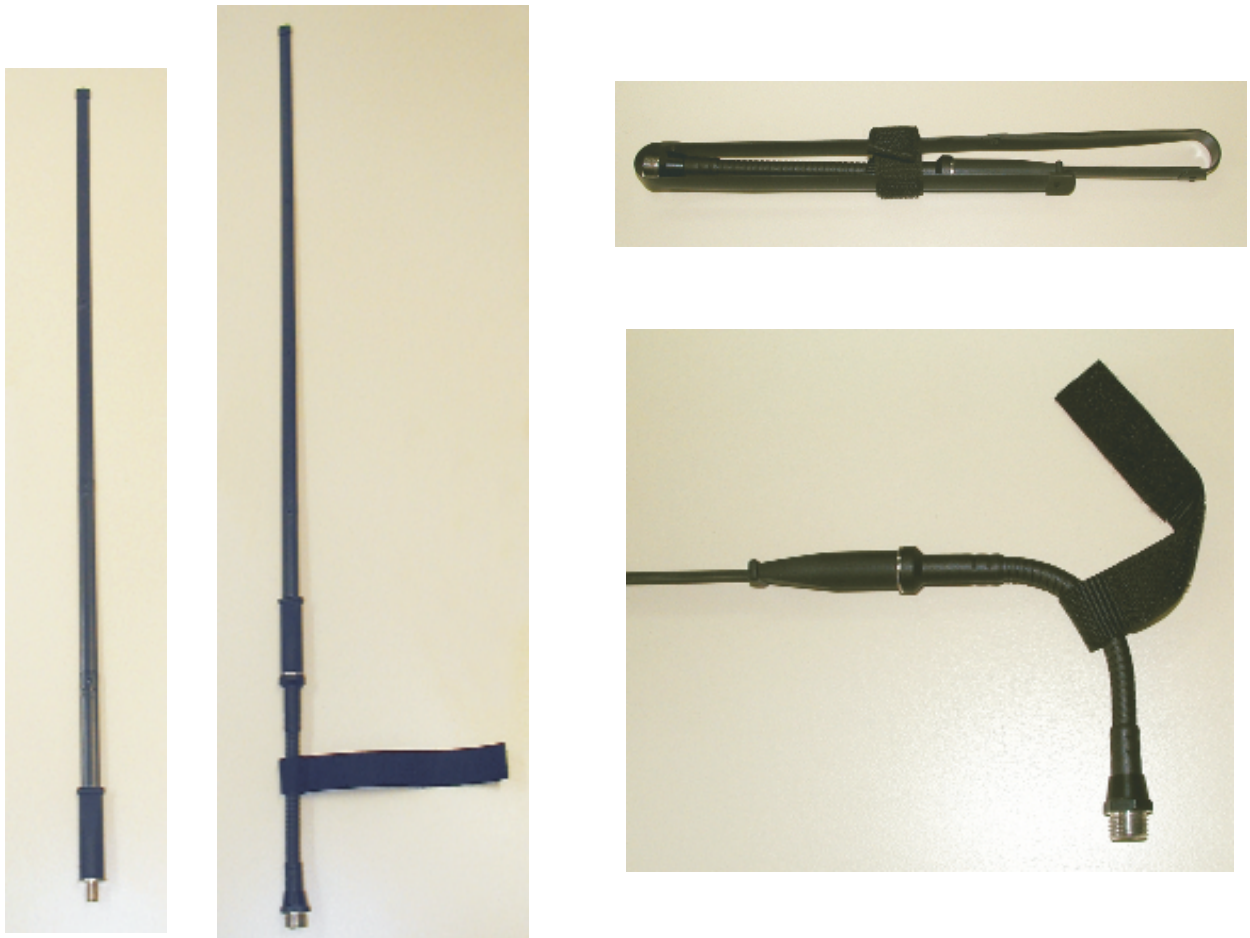
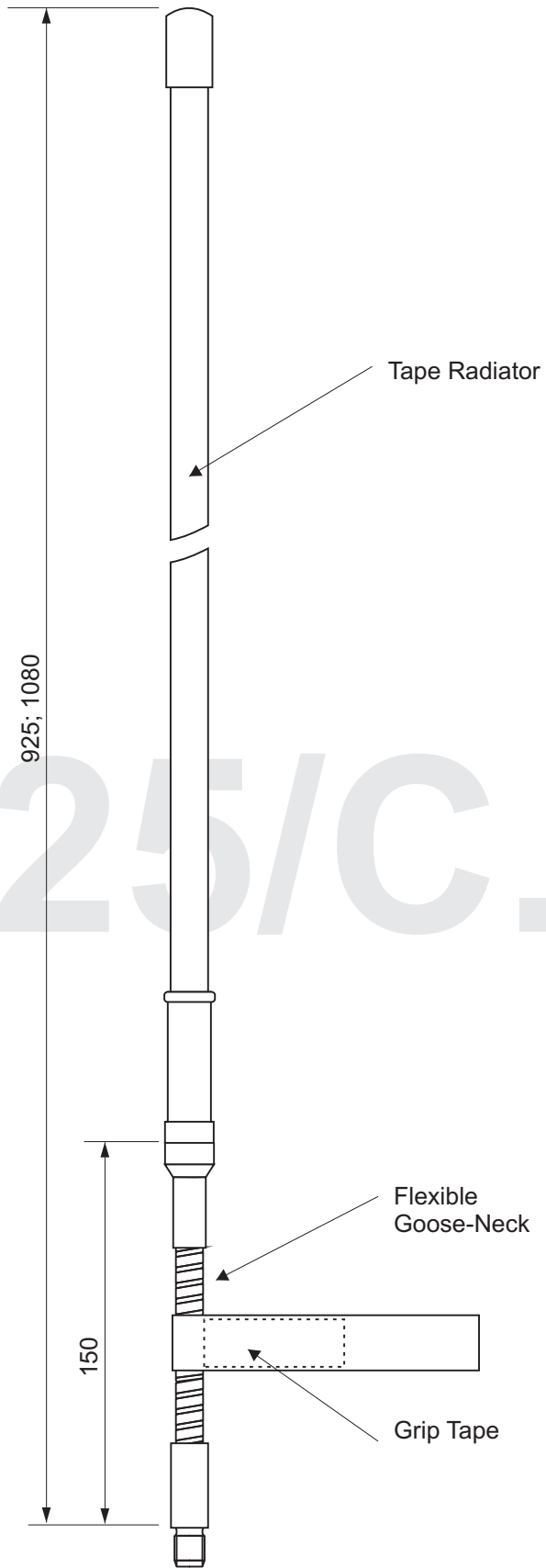
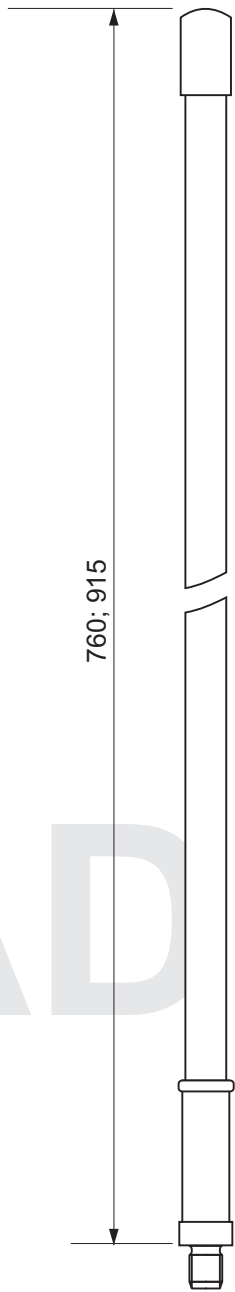


Family of antennas AD-25/C is intended for use with portable and manpack radios within VHF frequency band. The antenna radiator is composed of several multilayered tapes connected together to ensure good conductivity, flexibility and robust construction. The antenna consists also a special grip tape for packing when not in use.

Version of AD-25/C-GN contains also a special "goose-neck" enables vertical position of the antenna irrespective of position of radio set. Antenna is available in different heights (max. 1080 mm) and with different types of thread connectors (5/16"- 24UNF as standard or by request).



	AD-25/C-760	AD-25/C-915	AD-25/C-GN-925	AD-25/C-GN-1080
Frequency range	30 - 90 (108) Mhz	30 - 90 (108) Mhz	30 - 90 (108) Mhz	30 - 90 (108) Mhz
Maximum power	25 W	25 W	25 W	25 W
Polarization	VER.	VER.	VER.	VER.
Connector	thread 5/16-24UNF (or by request)	thread 5/16-24UNF (or by request)	thread 5/16-24UNF (or by request)	thread 5/16-24UNF (or by request)
Height	760 mm	915 mm	925 mm	1080 mm
Weight	0,10 kg	0,11 kg	0,17 kg	0,18 kg
Temperature range	- 40....+70 °C	- 40....+70 °C	- 40....+70 °C	- 40....+70 °C



AD-25/C...